



**Kohler Sink – Stainless Steel**

**K-3820-4**





### Top Features

**Vault Smart Divide® double-equal sink** - The distinctive, modern design of the Vault sink lends a contemporary vibe to your kitchen. Handcrafted from stainless steel, this dual-mount sink features a lowered divider, tightly angled corners to maximize basin space, and a sloped bottom that helps with draining and cleanup. An engineered sound-absorption system significantly reduces disposal and dishwashing noise. Vault's ultra-flat rim makes it easy to wipe from the counter directly into the sink.

### Detailed Features

Constructed of 18-gauge stainless steel

Self-rimming or undercounter installation

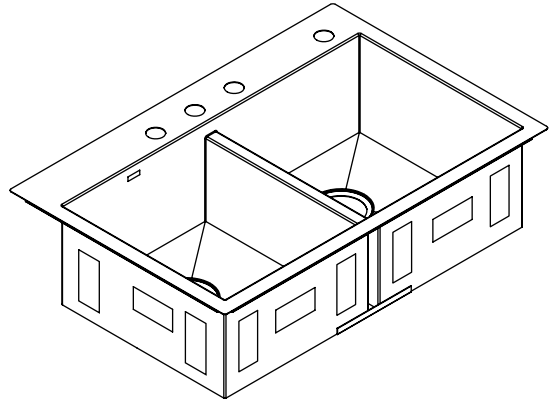
Double equal basin

**Dimensions** – 33”L x 22”W

### Features

- 18-gauge stainless steel
- Self-rimming or undercounter
- Includes installation hardware
- Double (equal) compartment
- 33" (83.8 cm) x 22" (55.9 cm)

### SELF-RIMMING/UNDERCOUNTER KITCHEN SINK K-3820



### Codes/Standards Applicable

Specified model meets or exceeds the following:

- ASME A112.19.3/CSA B45.4

### Colors/Finishes

- NA: None applicable

### Accessories

- CP: Polished Chrome
- NA: None applicable
- Other: Refer to Price Book for additional colors/finishes

### Specified Model

Model	Description	Colors/Finishes
K-3820-1	Self-rimming/Undercounter kitchen sink – single-hole	<input type="checkbox"/> NA
K-3820-3	Self-rimming/Undercounter kitchen sink – 3-hole	<input type="checkbox"/> NA
K-3820-4	Self-rimming/Undercounter kitchen sink – 4-hole	<input type="checkbox"/> NA

### Optional Accessories

K-8801	Duostrainer® sink strainer	<input type="checkbox"/> CP	<input type="checkbox"/> Other_____
1131881	Hardware kit for countertops with a 2-1/2" (6.4 cm) thickness or less	<input type="checkbox"/> NA	

### Product Specification

The kitchen sink shall be 33" (83.8 cm) in length, 22" (55.9 cm) in width. Sink shall be made of 18-gauge stainless steel. Sink shall be undercounter or self-rimming. Sink shall be double equal compartments. Sink shall include installation hardware. Sink shall be Kohler Model K-3820-NA.

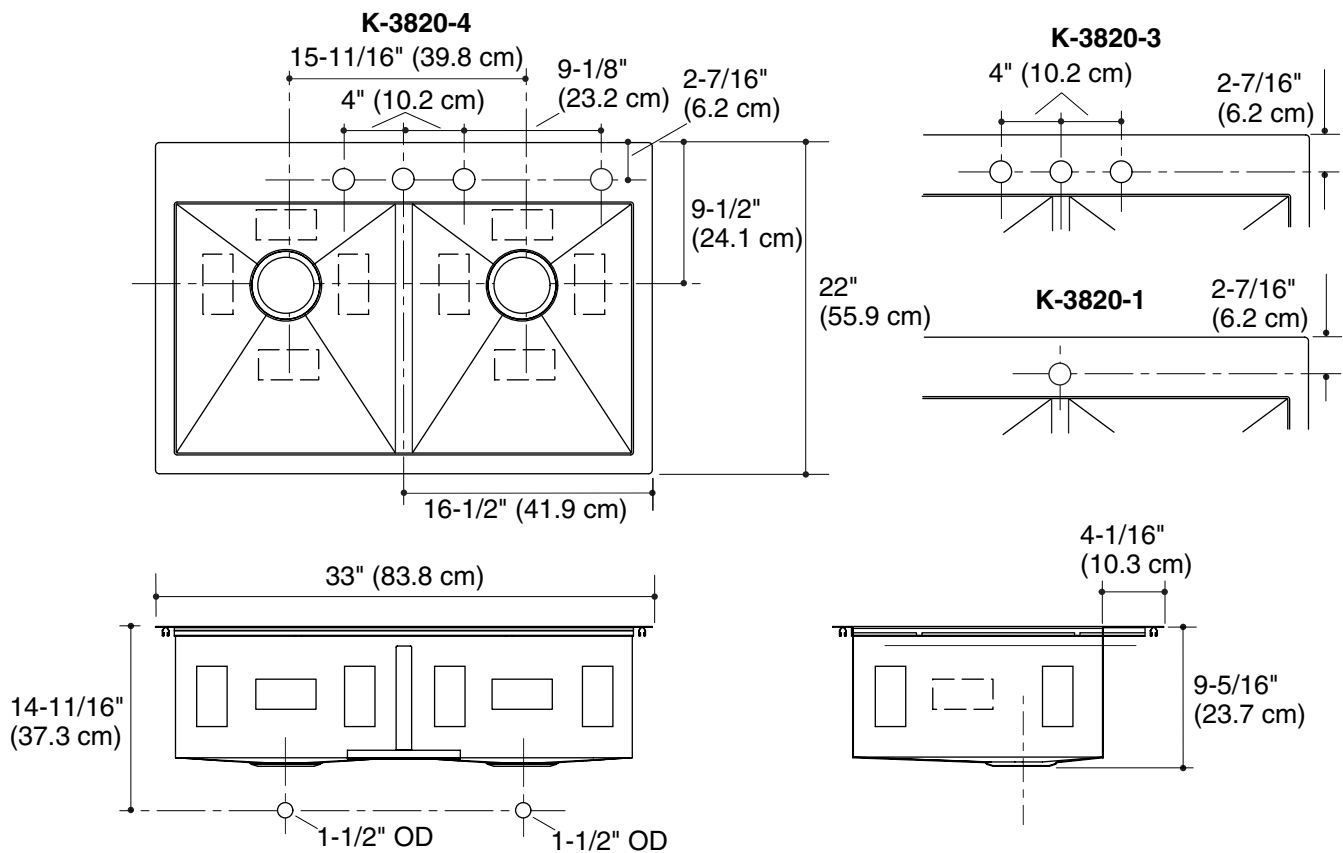
## Technical Information

Fixture*:	
Basin area	14-9/16" (37 cm) x 16-9/16" (42.1 cm) 14-9/16" (37 cm) x 16-9/16" (42.1 cm)
Water depth	9" (22.9 cm)
Drain hole	3-5/8" (9.2 cm) D.
* Approximate measurements for comparison only.	

Included components:	
Hardware kit – self-rimming	1130570
Cut-out template	1130821

## Installation Notes

Install this product according to the installation guide.



## Product Diagram